



MTX-D, Oil Temperature/Pressure Gauge

1	Mounting and Sensor Installation.....	2
1.1	Mounting the Gauge.....	2
1.1.1	Changing the MTX gauge face and/or bezel.....	2
1.2	Oil Temp Sensor.....	2
1.3	Oil Pressure Sensor.....	3
2	Wiring.....	3
2.1	Main Gauge Wiring.....	3
2.2	Oil Temp Sensor Wiring.....	4
2.3	Oil Pressure Sensor Wiring.....	4
3	Download the Logworks 3 software package.....	5
3.1	Installing software.....	5
3.2	LM Programmer Software.....	5
3.2.1	Programming the Gauge.....	6
3.2.2	Pressure Tab.....	6
3.2.3	Temp Tab.....	7
3.2.4	Updating the Firmware.....	7
3.3	LogWorks Software.....	8
3.3.1	MTS Serial Communication.....	9
3.3.2	Logging data.....	9
	Appendix A: Limited Warranty.....	11

1 Mounting and Sensor Installation

1.1 Mounting the Gauge

The MTX Oil Temperature/Pressure gauge fits in a standard 2-1/16" (52mm) hole. The gauge can be mounted into a commercially available 2-1/16" (52mm) gauge pod or by drilling a 2-1/16" (52mm) diameter hole to your desired mounting location. Check behind the mounting location for any wiring or components before drilling. Allow at least 2-1/4" (57mm) of depth for the gauge body and associated wiring. Mounting of the gauge should be done in such a manner that the cables are not being forcefully pulled from the gauge body itself.

The MTX Oil Temperature/Pressure gauge is splash resistant (not water proof) and can be mounted so that it is exposed to the elements. The MTX gauge should not be submerged and special consideration should be taken to protect the gauge from direct water spray (water coming from a pressurized source.) When replacing the bezel and/or gauge face verify that the o-ring is properly seated.



Make sure the mounting location does not impair visibility or interfere with driving.

1.1.1 Changing the MTX gauge face and/or bezel

1. Lay the MTX gauge face down and remove the three #2 phillips screws from the outside rim of the back plate.
2. Carefully lift off the bezel from the gauge cup.
3. Configure the gauge as desired by changing the gauge face and or bezel.
***Be sure to remove protective film from the gauge face. This can be done easily with a piece of scotch tape.**
4. Make sure every piece is positioned correctly using the locating tab and reassemble the gauge.
5. Reinstall the 3 #2 phillips screws.

1.2 Oil Temp Sensor

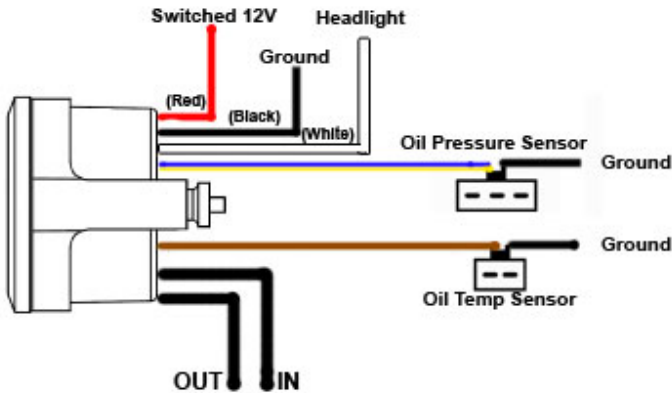
- The oil temp sensor provided in the kit has 1/8 NPT external threads.

- Mount the sensor using Teflon tape over the threads to avoid oil leaks.
- Be sure the sensor wire is not twisted. Having the wire twisted will damage the sensor.
- Avoid bending the sensor wire near the sensor body.

1.3 Oil Pressure Sensor

- The oil pressure sensor provided in the kit has 1/8 NPT external threads.
- Mount the sensor using Teflon tape over the threads to avoid oil leaks.
- Do not install the sensor near the oil pump or to the pressure switch directly. Failure to do so could damage the sensor due to the pressure pulsations.

2 Wiring



2.1 Main Gauge Wiring

1. Connect the **RED** wire to a switched 12V source. A switched 12V source comes ON as soon as the ignition on the car is keyed on. Make sure the connection is fused with a minimum fuse size of 2A.



Circuits that share power with the vehicle's stereo, ignition system, and fuel pump are not recommended.

2. Connect the main **BLACK** wire to a ground source. Note that there are other black wires coming out of the 2 pin and 3 pin connectors, these are not the main gauge grounds. Avoid noisy ground sources, such as grounds used for the radio and or ignition.
3. Connect the **WHITE** wire to a headlight power wire (a wire that supplies current when the headlights are on). This enables the display to dim for better nighttime viewing. **DO NOT CONNECT THIS WIRE TO THE HEADLIGHT DIMMING WIRE.** Connection to this rheostat type of switch will cause the gauge to malfunction. If you chose not to utilize the dimming feature, connect the WHITE wire to ground.

2.2 Oil Temp Sensor Wiring

- 1 Fish the Oil temp sensor's two pin connector through the firewall and to the MTX Oil Temperature/Pressure Gauge.
- 2 Connect the sensor's male two pin connector to the female two pin connector on the gauge.

2.3 Oil Pressure Sensor Wiring

1. Route the pressure sensor cable to the gauge and connect it to the 3 pin connector.
2. Coming out of the female three pin connector from the gauge you will find a black wire with a stripped end. Connect this black wire to the same ground source as the gauge.
3. Connect the other end of the pressure sensor cable to the pressure transducer.

3 Download the Logworks 3 software package

1. Open your web browser and go to:
<http://www.innovatemotorsports.com/support.php>
2. The LogWorks 3 software download will be the very first thing on the page, click the link to download the software.

3.1 Installing software

1. Double click on the Logworks 3 installer previously downloaded.
2. The installer will start, follow the prompts to install the software.
3. Once the software has been installed the LogWorks software, LM Programmer and MTX-D manual can then be located by navigating through Start->Programs->LogWorks3.

3.2 LM Programmer Software

LM Programmer is used to change the display's unit of measure from Imperial to Metric, configure the RPM pulses per rotation, setup alarms and warnings, setup shift light modes/parameters, and upgrade the firmware

1. Connect the OUT port of the MTX-D to the provided serial programming cable. Connect the other end of the serial programming cable to your computer. If your computer does not have a serial port, you can purchase a USB to Serial adapter from Innovate Motorsports (P/N 3733) or use any USB to serial adaptor that includes drivers. Make sure that nothing is connected to the IN port of the MTX-D
2. Power up the MTX-D.
3. Launch LM Programmer. The LM Programmer application can be launched from *Start->Programs->LogWorks3->LM Programmer* from the Windows task bar.



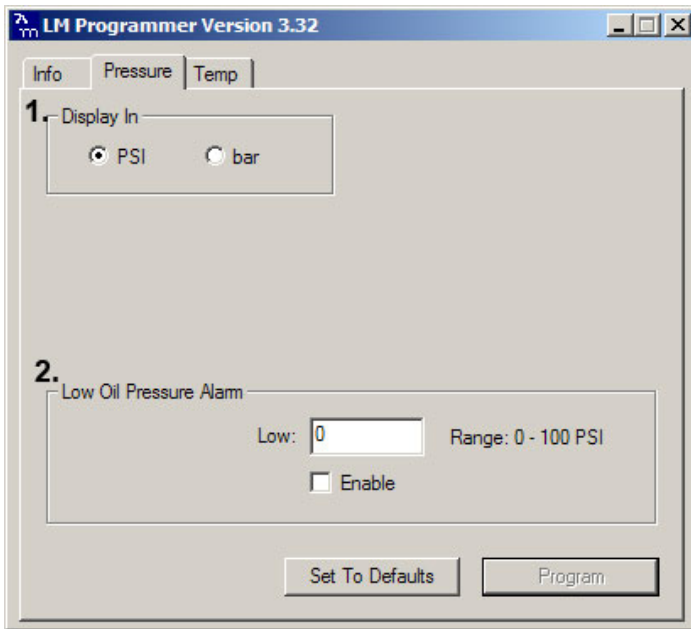
Avoid connecting or disconnecting any of the ports labeled IN or OUT while the unit is powered ON.

3.2.1 Programming the Gauge

Whenever a change is made to the programming of the gauge click the **Program** button for the change to take effect. Once the gauge has been programmed the **Program** button will grey out.

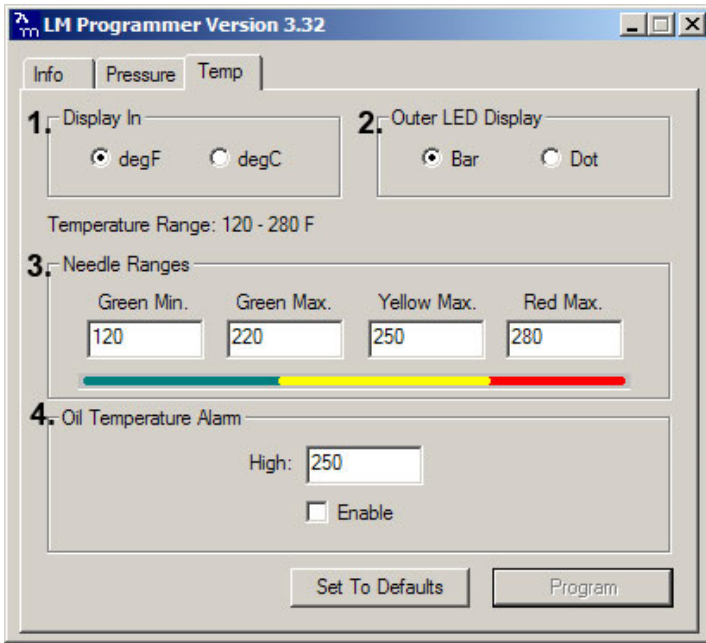
To set the gauge back to the factory settings click the **Set To Defaults** button and then click the **Program** button.

3.2.2 Pressure Tab



1. The **Display In** will allow the gauge to display the temperature in either Imperial or Metric unit of measure.
2. The **Low Oil Pressure Alarm** will enable the gauge's seven segment to flash when the entered threshold value has been exceeded. To enable this feature the "Enable" option must be checked.

3.2.3 Temp Tab



1. The **Display In** will allow the gauge to display the temperature in either Imperial or Metric unit of measure.
2. **Outer LED Display:** You are able to select between Bar or Dot. *Bar* allows the gauge's outer LEDs to flash incrementally. *Dot* allows the gauge's outer LEDs to flash each individual LED color (virtual needle.)
The **Needle Ranges** allows the configuration of each outer LED segment. The range displayed is user defined.
3. The **Oil Temperature Alarm** will enable the gauge's outer LEDs to flash when the entered threshold value has been exceeded. To enable this feature the "Enable" option must be checked.

3.2.4 Updating the Firmware

The LM Programmer Info tab reports the firmware version currently installed on your unit. **Do not update the firmware if the versions are the same. A**

firmware update should only be necessary if there has been a new release that specifically fixes a problem that you are experiencing with the unit.

Firmware for the MTX Oil Temperature/Pressure gauge has the extension dld. New firmware releases are available for download on the Innovate Motorsports' web site (www.tuneyouengine.com) under 'Support.'

1. Power OFF the MTX Oil Temperature/Pressure gauge
2. Connect the supplied serial cable to the port labeled OUT.
3. There should be nothing connected to the port labeled IN.
4. Power ON the MTX WATER TEMP/VOLT gauge.
5. Connect the serial cable to your computer. If you are using a serial to USB adapter, connect the serial cable to the adapter then connect the adapter to the computer.
6. Launch LM Programmer. The LM Programmer application can be launched from *Start->Programs->LogWorks3->LM Programmer* from the Windows task bar.
7. Once connected the LM Programmer will display the current version of the firmware that is installed in the LM-2. Do not update the firmware if the versions are the same. A firmware update should only be necessary if there has been a new release.
8. On the very first tab of LM Programmer you will see a button labeled "Update Firmware," click this button.
9. Select the firmware file with the dld extension.
10. Do not disconnect the unit from the computer until the firmware progress screen completely disappears. Once finished you may disconnect the unit from the computer and exit out of the software.

If your computer crashes during a firmware upgrade, the MTX Oil Temperature/Pressure gauge has a recovery mechanism where it will be able to retry the download again and not be disabled by half loaded firmware. Switch the MTX Oil Temperature/Pressure gauge off and on again and then reload LM Programmer. The recovery mechanism is designed to be able to recover 99.9% of the time. While we don't anticipate this occurring, it is possible that the MTX will not recover correctly and may need to be serviced at our factory. If you suspect this is the case, contact Innovate support.

3.3 LogWorks Software

The MTX Oil Temperature/Pressure gauge can be connected to the LogWorks software to record and analyze Oil temperature and Oil Pressure. The gauge can also be connected to other Innovate Motorsports products to create a log chain with additional gauges and sensors.

3.3.1 MTS Serial Communication


The MTX Oil Temperature/Pressure gauge has a port labeled IN and a port labeled OUT. These connections allow multiple MTS (Modular Tuning System) devices to be connected together in order to form a single log chain.

There are two types of cables used to interface the MTX Oil Temperature/Pressure gauge. The 3812 cable is a 4 pin micro fit to 2.5mm male stereo plug used. The 3846 cable is a 4pin Micro fit to 4pin Micro fit. These cables are sold separately, make sure to select the correct cables to interface the product you own.

1. Power OFF all your MTS devices.
2. Start with the first product in the serial chain. Using the appropriate mating cable, connect the OUT port from the first device and feed it into the IN port of the second device. *(Note: If you have an LC-1, there must be a terminator plug in the serial IN if it is the first device in the serial chain.)*
3. Continue connecting the OUT port of each device into the IN until all your devices are connected together.
4. If a recording device is not connected to the serial chain, e.g. DL-32, LM-2, the OUT port of the last device can be connected directly to a computer to log with the LogWorks software
5. Once all the connections of the ports labeled IN and OUT are made the MTS devices can be powered ON.

3.3.2 Logging data

1. Power OFF the MTX Oil Temperature/Pressure gauge
2. Connect the supplied serial cable to the port labeled OUT.
3. There should be nothing connected to the port labeled IN.
4. Power ON the MTX Oil Temperature/Pressure gauge.

5. Connect the serial cable to your computer. If you are using a serial to USB adapter, connect the serial cable to the adapter then connect the adapter to the computer.
6. Launch LogWorks. The LogWorks application can be launched from *Start->Programs->LogWorks3->Logworks3* from the Windows task bar.
7. Once LogWorks launches go to *File->Connect*. You will be prompted to connect to serial COM port. Click Connect.
8. *To start recording go to File->New Real-time Log* or, in the Toolbar, click on the  Tool.

Appendix A: Limited Warranty

LIMITED WARRANTY

Innovate stands behind the quality of its products. Innovate makes the following warranty to purchasers of its products: All new Innovate products carry a one year warranty from the date of purchase. If proof of purchase cannot be provided, warranty will be determined by date of manufacture.

When Warranty Void

This warranty shall terminate and Innovate shall have no obligation pursuant to it if (i) your Innovate product has been modified or repaired in a manner not previously authorized by Innovate in writing, (ii) the identification markings on your Innovate product have been removed, defaced, or altered; (iii) your Innovate product was subjected to accident, abuse, shipping damage, or improper use; (iv) your Innovate product was not used or configured as specified in the product manual; or (v) your Innovate product was subjected to operating conditions more severe than those specified in the product manual.

Repairs Under This Warranty

In the unlikely event that your Innovate hardware product should prove defective during the warranty period, contact Innovate Customer Support for a return material authorization (RMA) at (800) 348 3037. Products returned for service must be securely packed to prevent damage and shipped charges pre paid, along with proof of purchase and the return material authorization form, to the Innovate repair location as instructed by Customer Service. Innovate within a reasonable amount of time from its receipt of your product so shipped, will ship to you, at its option, the repaired product or a new or reconditioned product of comparable or greater specified functionality. All repaired or replacement products shall be warranted for the remainder of the original product warranty.

Disclaimer

INNOVATE MAKES NO OTHER EXPRESS OR IMPLIED WARRANTY WITH RESPECT TO YOUR INNOVATE PRODUCT OTHER THAN THE LIMITED WARRANTY SET FORTH ABOVE. No Innovate dealer, agent, or employee is authorized to make any modification, extension, or addition to this warranty, unless enforceable or unlawful under applicable law, INNOVATE DISCLAIMS ALL IMPLIED WARRANTIES, INCLUDING THE IMPLIED WARRANTIES OF MERCHANTABILITY, NONINFRINGEMENT, AND FITNESS FOR A PARTICULAR PURPOSE, AND THE LIABILITY OF INNOVATE, IF ANY, FOR DAMAGES RELATING TO ANY ALLEGEDLY DEFECTIVE PRODUCT SHALL UNDER ANY TORT, CONTRACT, OR OTHER LEGAL THEORY BE LIMITED TO THE ACTUAL PRICE PAID FOR SUCH PRODUCT AND SHALL IN NO EVENT INCLUDE INCIDENTAL, CONSEQUENTIAL, SPECIAL, OR INDIRECT DAMAGES OF ANY KIND EVEN IF INNOVATE IS AWARE OF THE POSSIBILITY OF SUCH DAMAGES. Some states do not allow limitations on how long an implied warranty lasts or the exclusion or limitation of incidental or consequential damages, so the above limitations or exclusions may not apply to you.